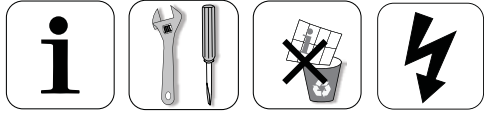
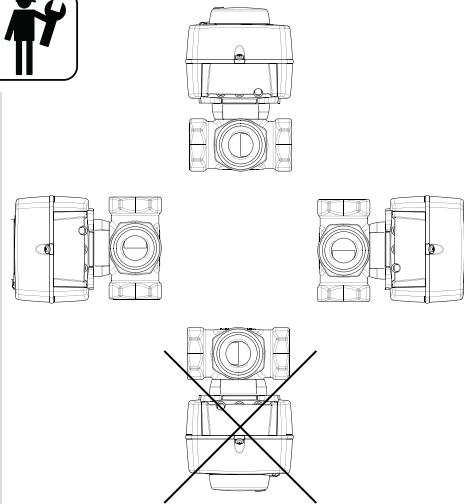
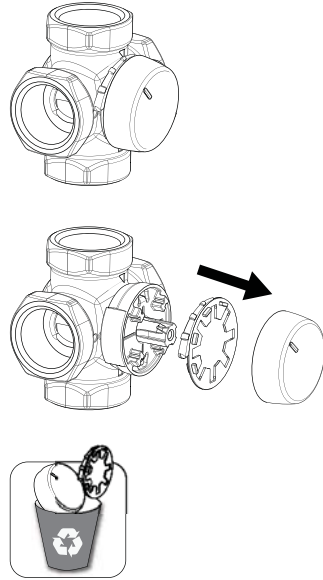
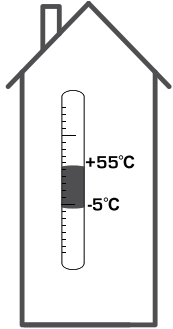


# ESBE SERIES CRA, CRB, CRC



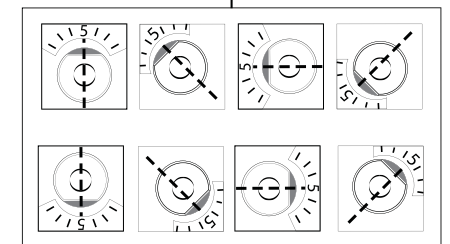
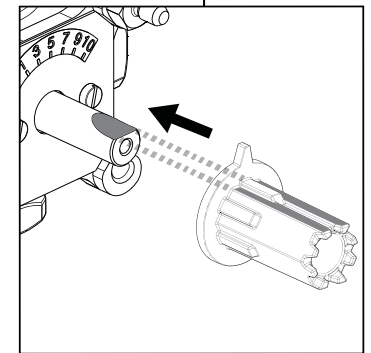
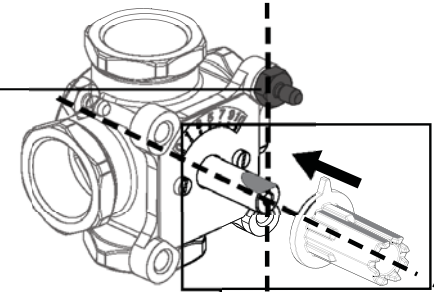
Series CRA110  
Series CRB100  
Series CRC110

CE  
LVD 2006/95/EC  
EMC 2004/108/EC  
RoHS 2011/65/EC



## MG, G, F, H, HG, BIV, T, TM

	DN15-25	
	DN20-40	
	DN50	
	DN20-25	
	DN32-50	
	H: DN25	
	H: DN32-50	
	HG: DN25	
	DN20-22	
	DN25	
	T: DN20-32	
	TM: DN20	



CRA110, CRB100, CRC110



VRG130, VRG140, VRG230, VRB140

3MG, 4MG



3G, 4G

3F, 4F ≤ DN50

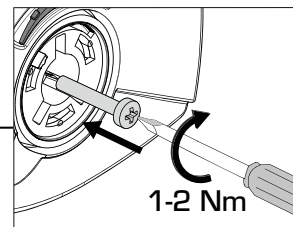
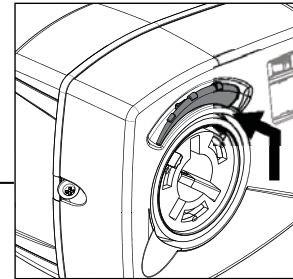
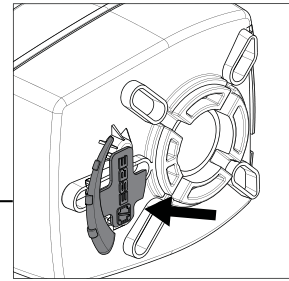
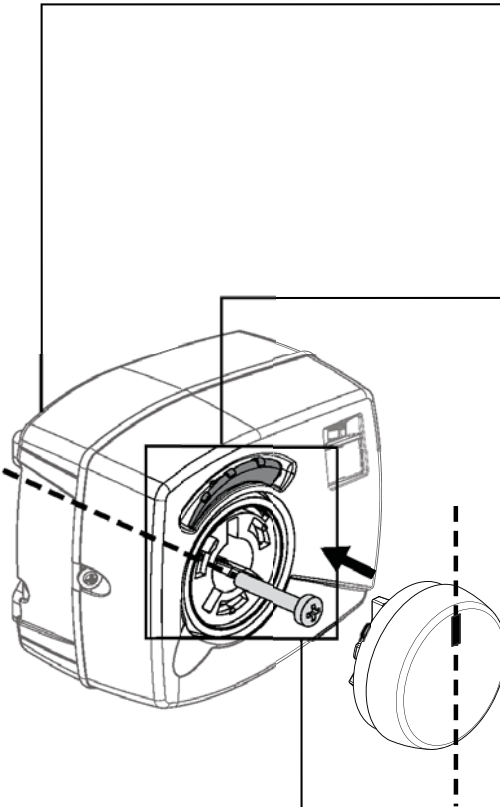
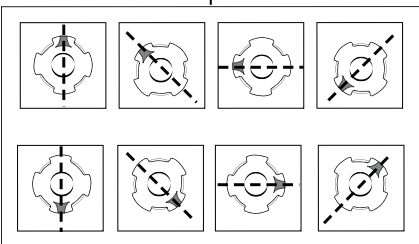
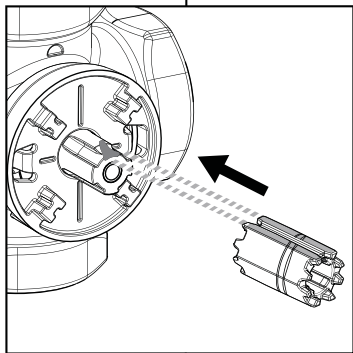
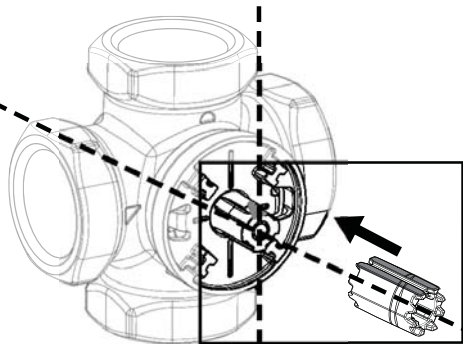
3HG, 4HG, 3H, 4H



BIV

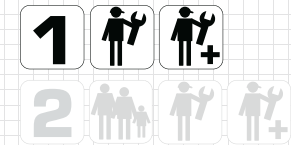
T, TM

**VRG130, VRG140,  
VRG230, VRB140**



www.esbe.se

Mtrl.nr: 98140403 • Ritn.nr: 8308 utg. C • Rev. 1305

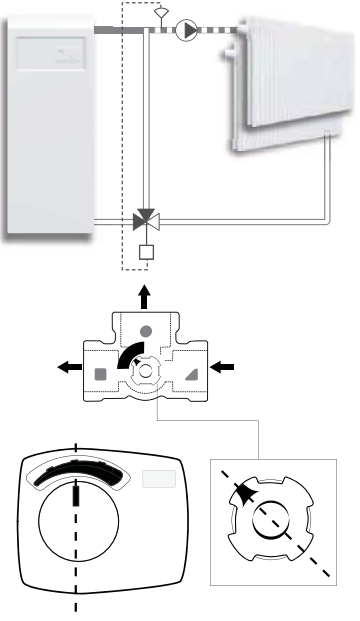
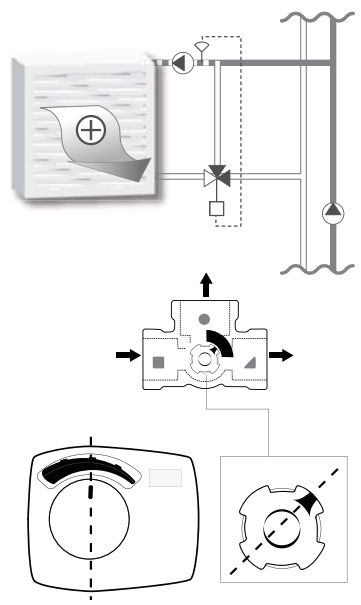
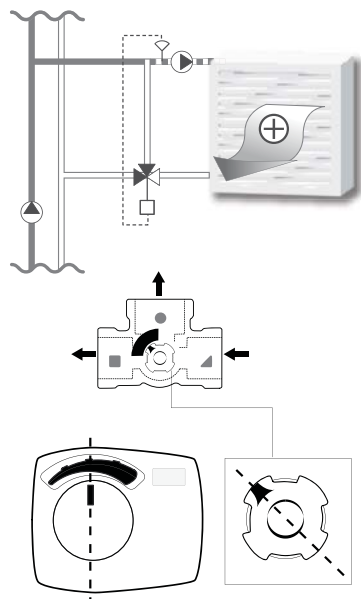
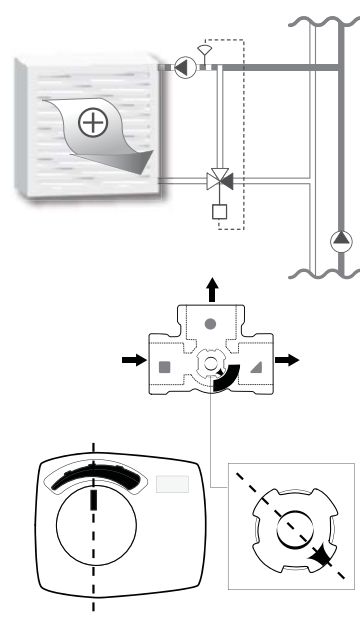
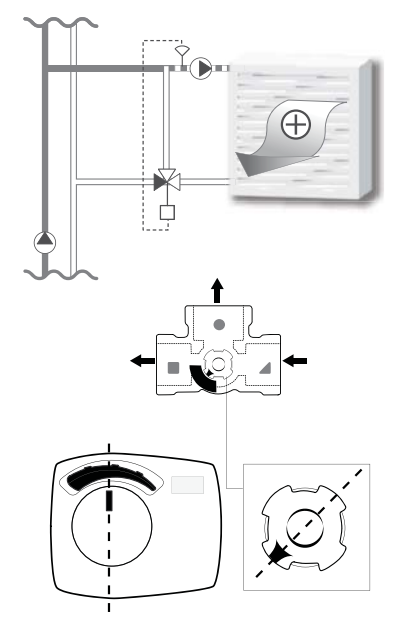


**SERIES  
CRA110, CRB100, CRC110**

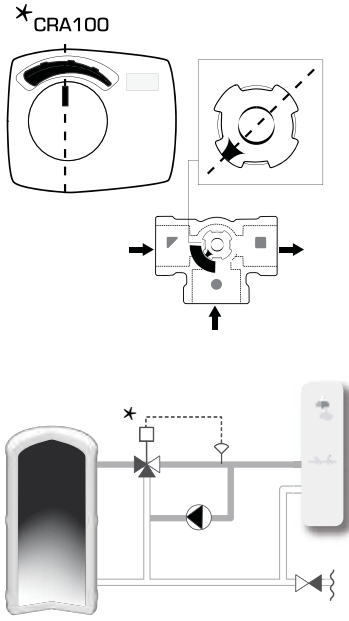


**NO.1 IN HYDRONIC SYSTEM CONTROL**

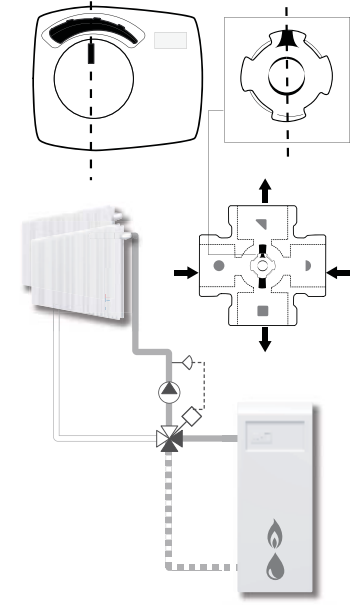
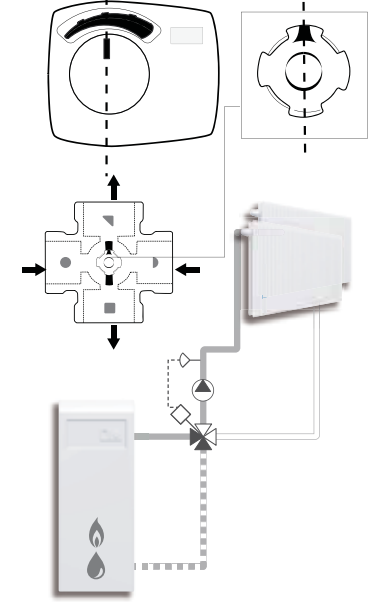


**f****g****h****i****j**

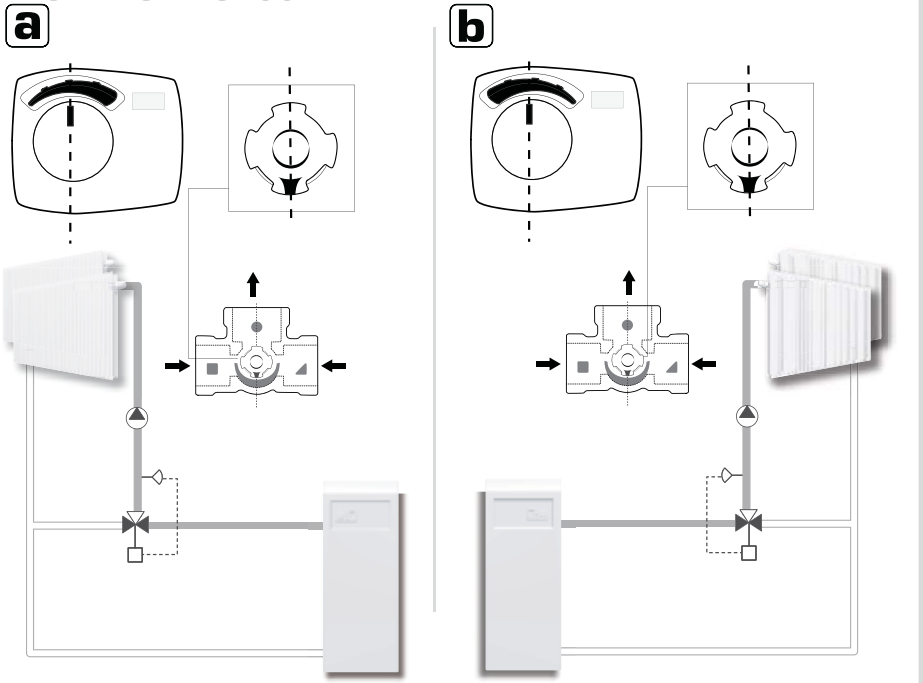
SERIES VRG130

**p**

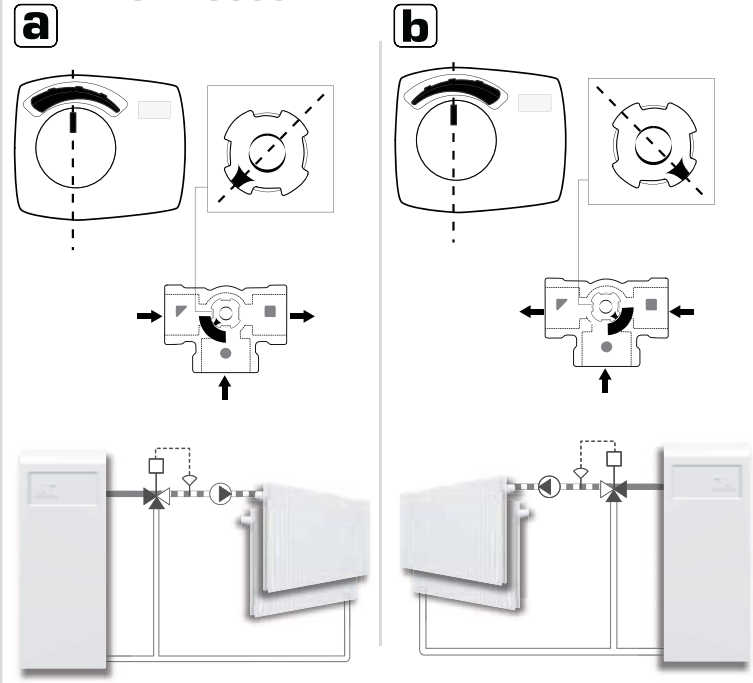
SERIES VRG130

**SERIES VRG140****a****b**

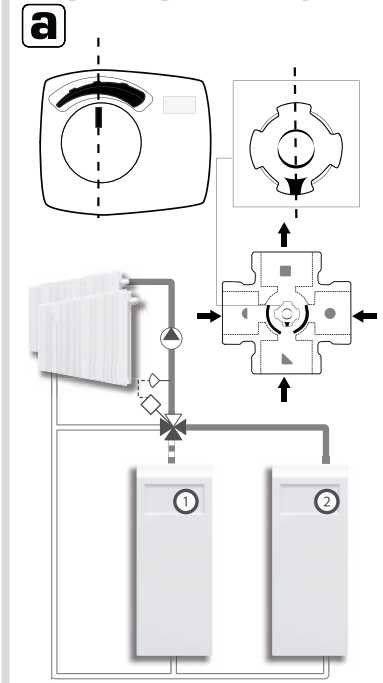
### SERIES VRG230



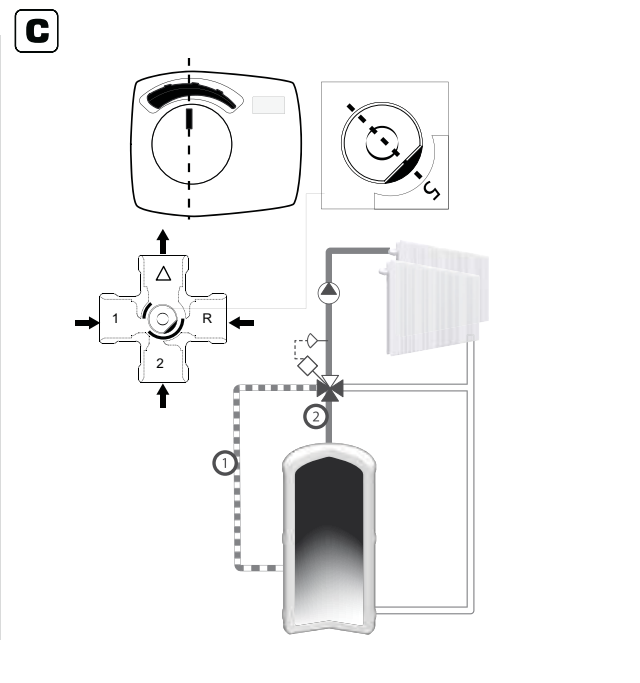
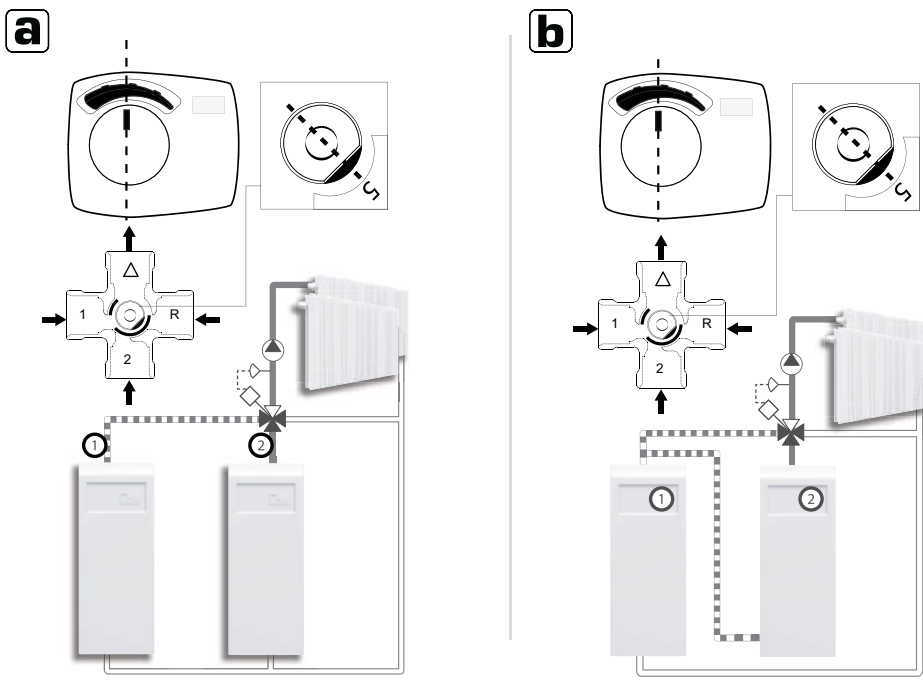
### SERIES VRG330



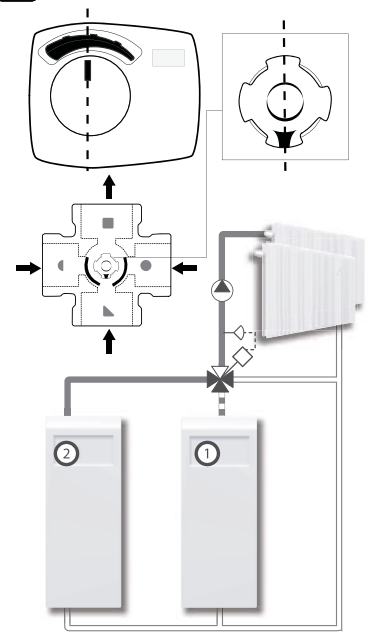
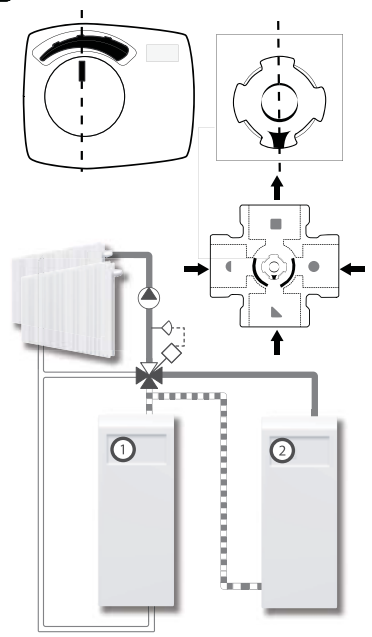
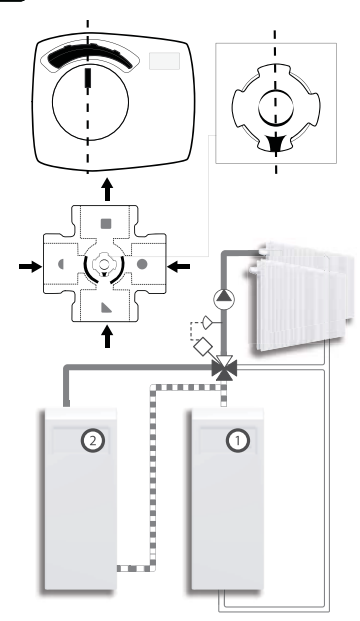
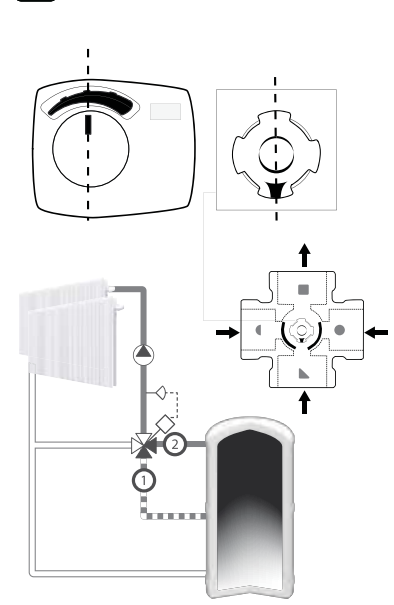
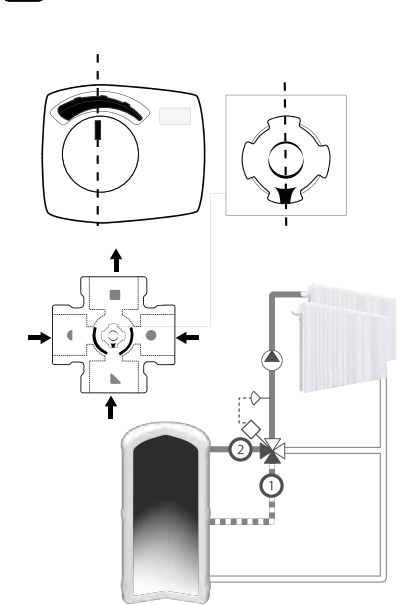
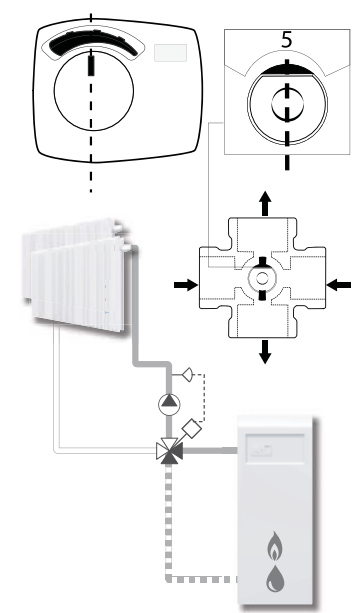
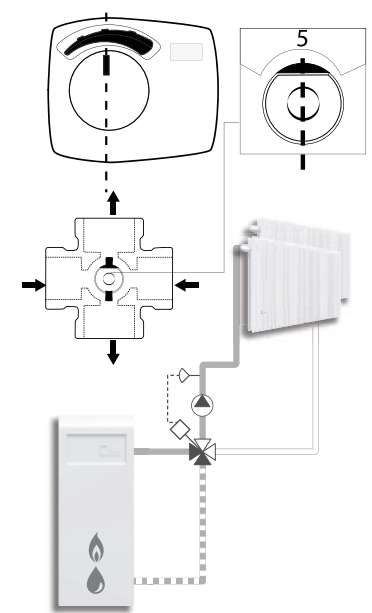
### SERIES VRB140



### SERIES BIV

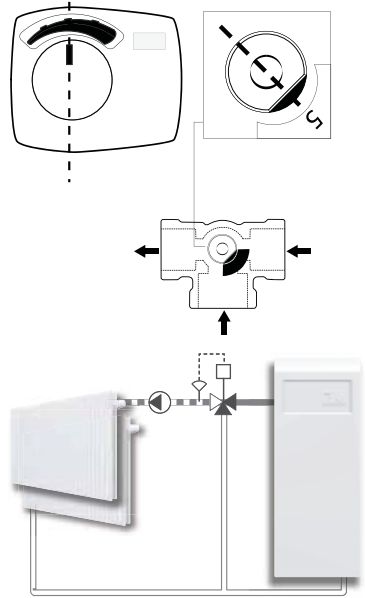


\*We would like to point out to the existence of a German patent DE 19821256C5 affecting the usage of bivalent 4-way valves in liquid circulation heating systems. In this patent the usage of a 4-way bivalent valve in a type of heating system is protected, in which 2 different heating circuits are operated in parallel, where the return of the first circuit is utilized as heat source for the second circuit. The floor heating in a regulated manner is heated through just heat source and the return from the primary heat circuit is utilized as alternative secondary heat source for the floor heating. Such a utilization of our bivalent 4-way valve without approval of the patent holder is forbidden. All other applications our product group VRB are without reservations possible.\*

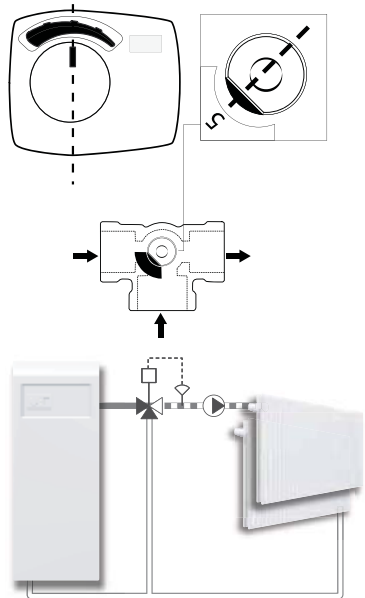
**b****c****d****e****f****SERIES VRB140****SERIES 4F, 4MG, 4G****a****b***Piping Schematics are General Representations*

**SERIES 3F, 3MG, 3G**

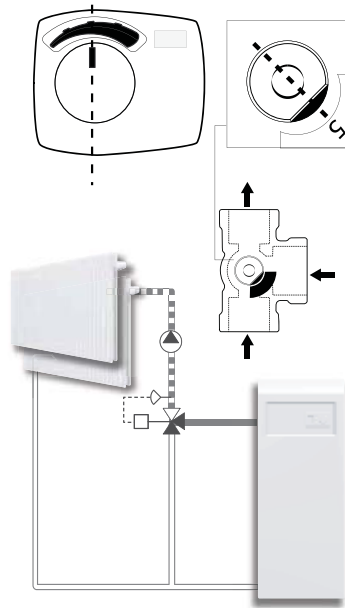
**a**



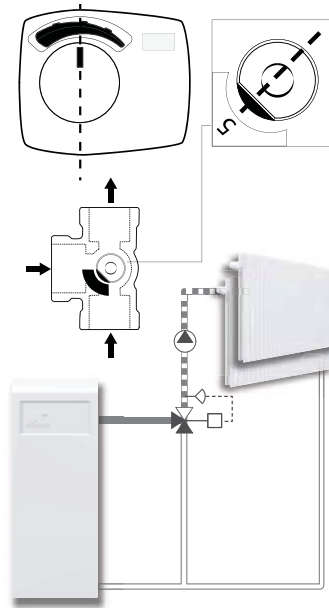
**b**



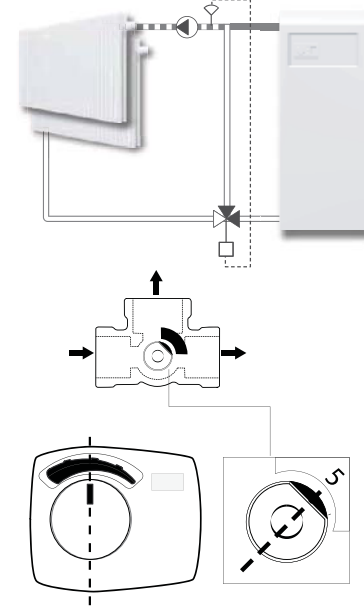
**c**



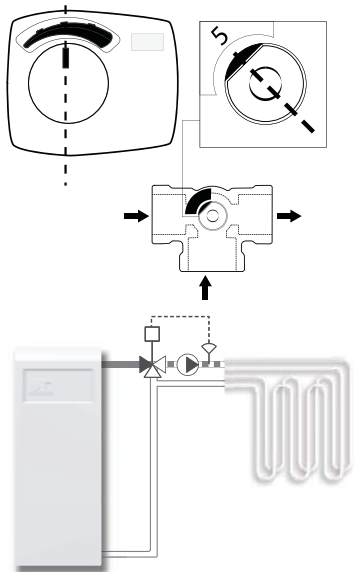
**d**



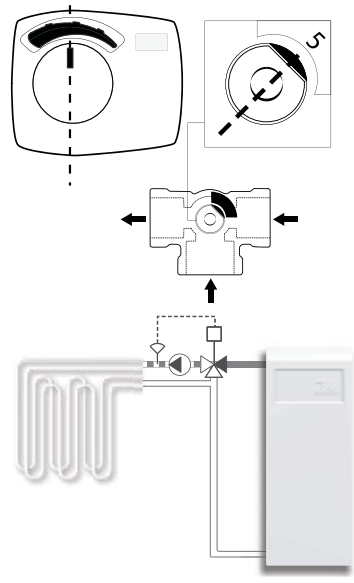
**e**



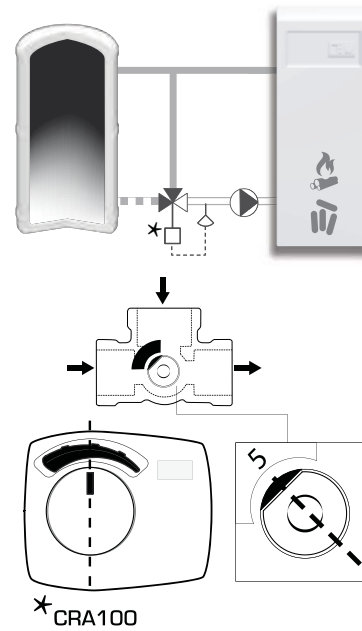
**k**



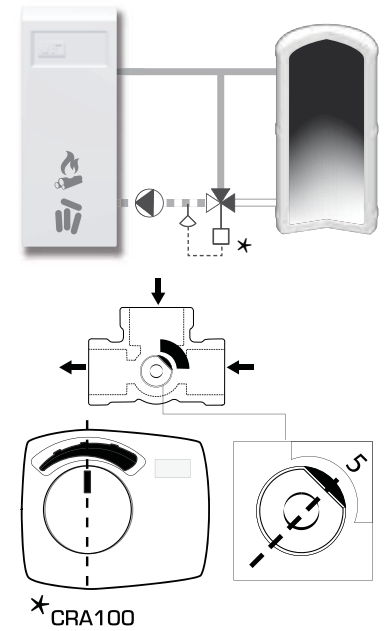
**l**

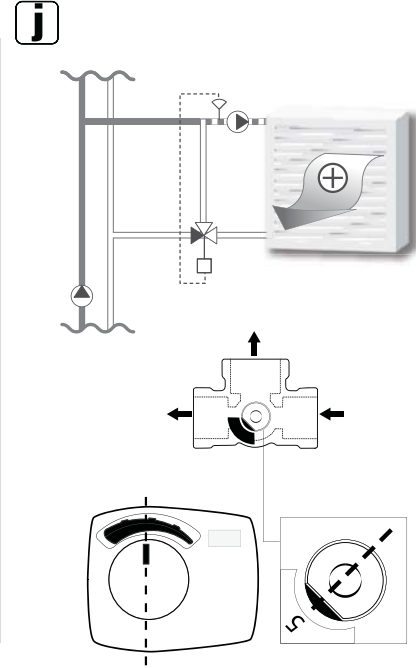
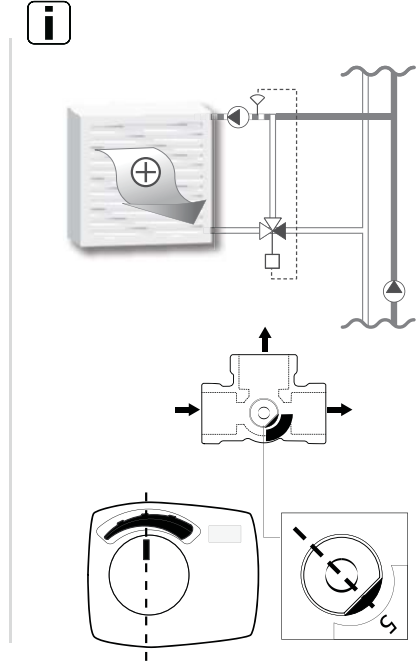
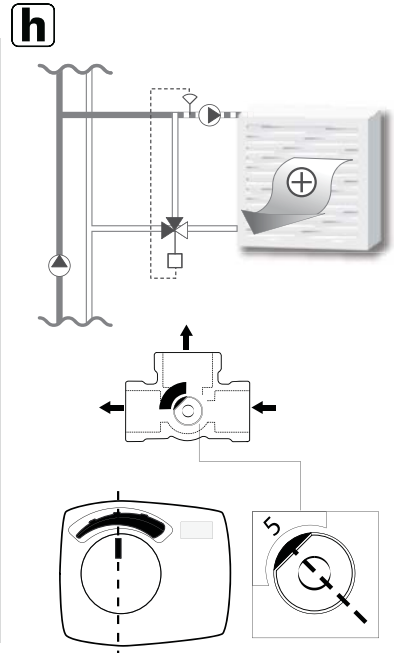
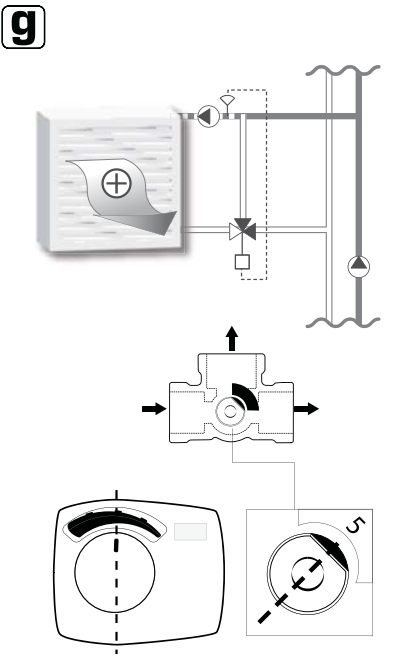
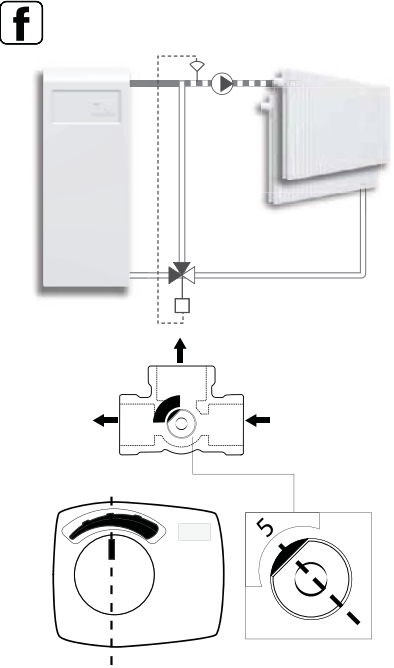


**m**

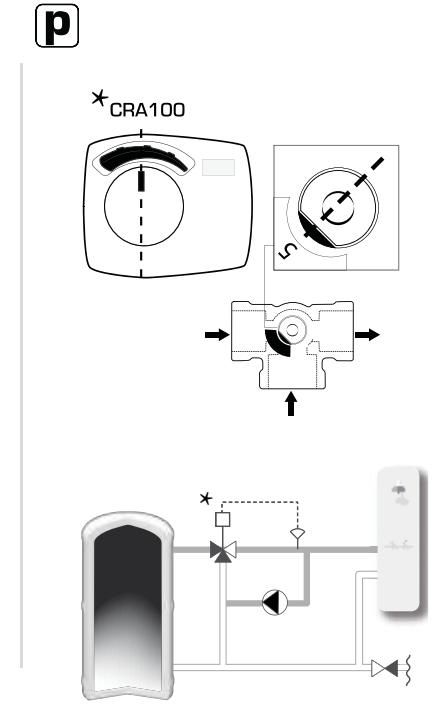
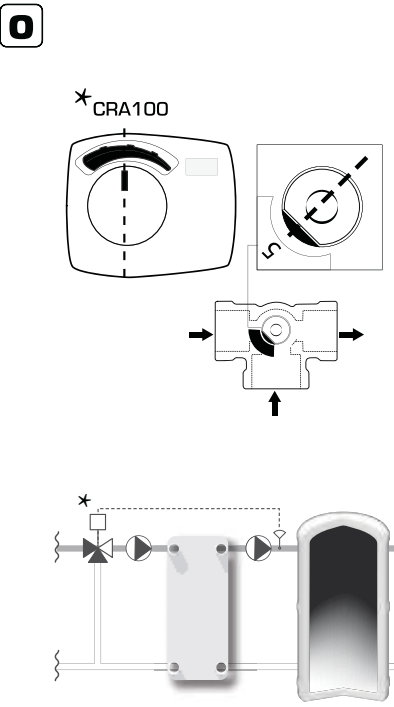


**n**

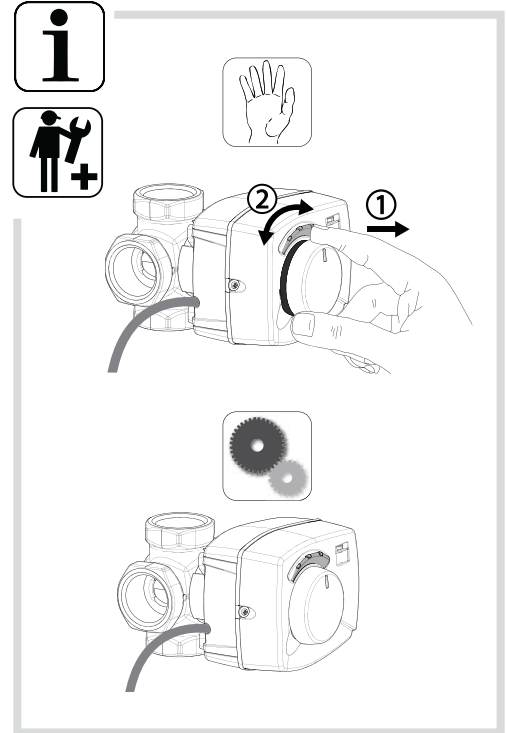




SERIES 3F, 3MG, 3G



SERIES 3F, 3MG, 3G



Piping Schematics are General Representations